



ZINC DIECAST HANDLES

TwinPoint Gen2

centor®



Minimal protrusion
Reduces risk of collision
with stile and jamb



Versatile
Interchangeable spindle for
various panel thicknesses



Economical
Affordable alternative
to stainless steel



Aesthetically aligned
Keyed and non-keyed
share same footprint



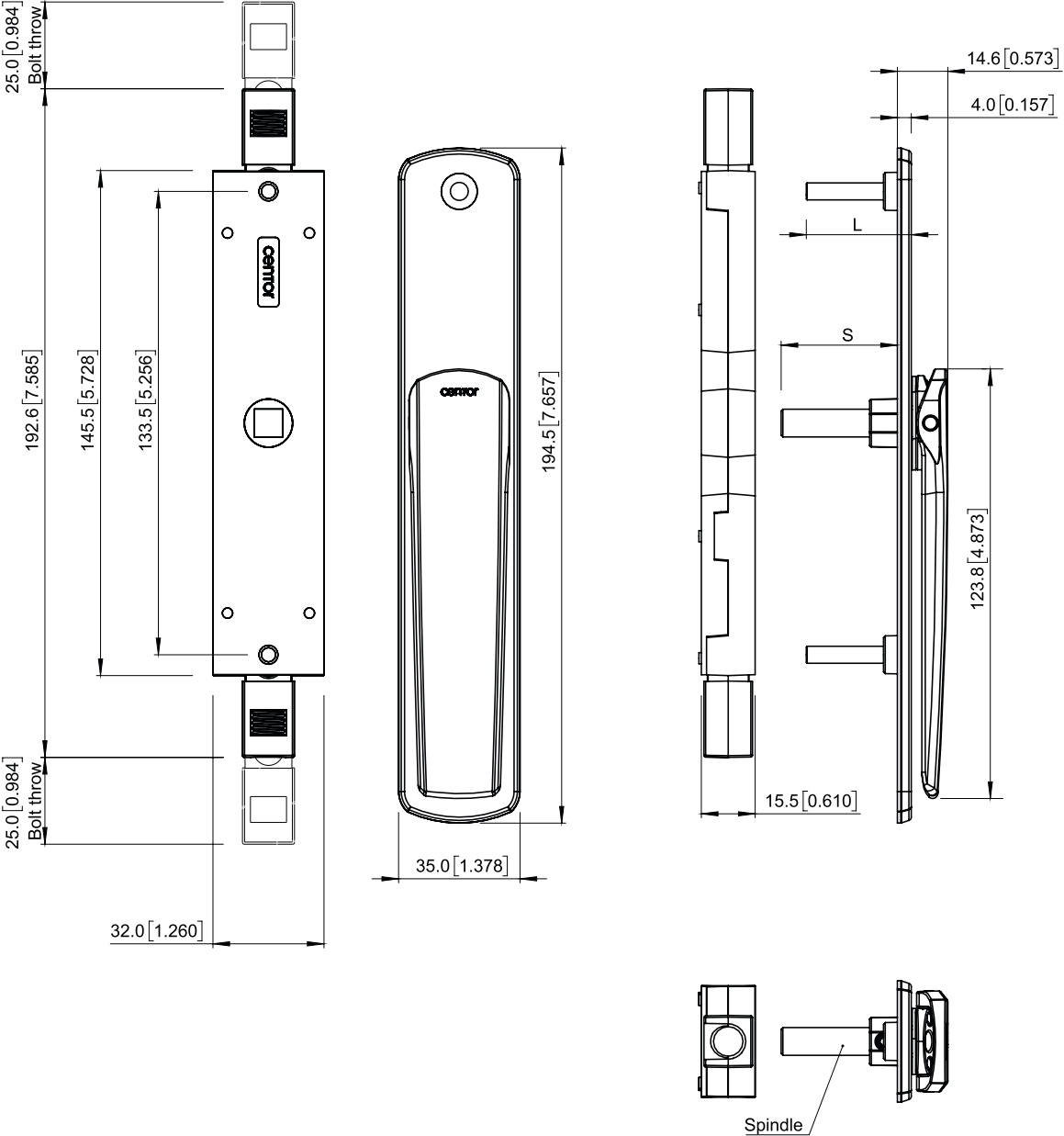
HANDLE BENEFITS

- Effortless maneuverability, a small radius, and minimal protrusion ensure the handle won't collide with the opposite stile or jamb.
- Offers an economical solution comparable to stainless steel.
- Versatility is key with its interchangeable spindle, accommodating various panel thicknesses with a single stock item.
- Adaptability is enhanced with an additional spindle kit available, catering to panels of up to 100mm (4").
- Consistent aesthetic appeal across keyed and non-keyed handles ensures alignment across all door system handles.



ZINC DIECAST SINGLE HANDLE

TwinPoint Gen2 H02 Non-keyed, Short



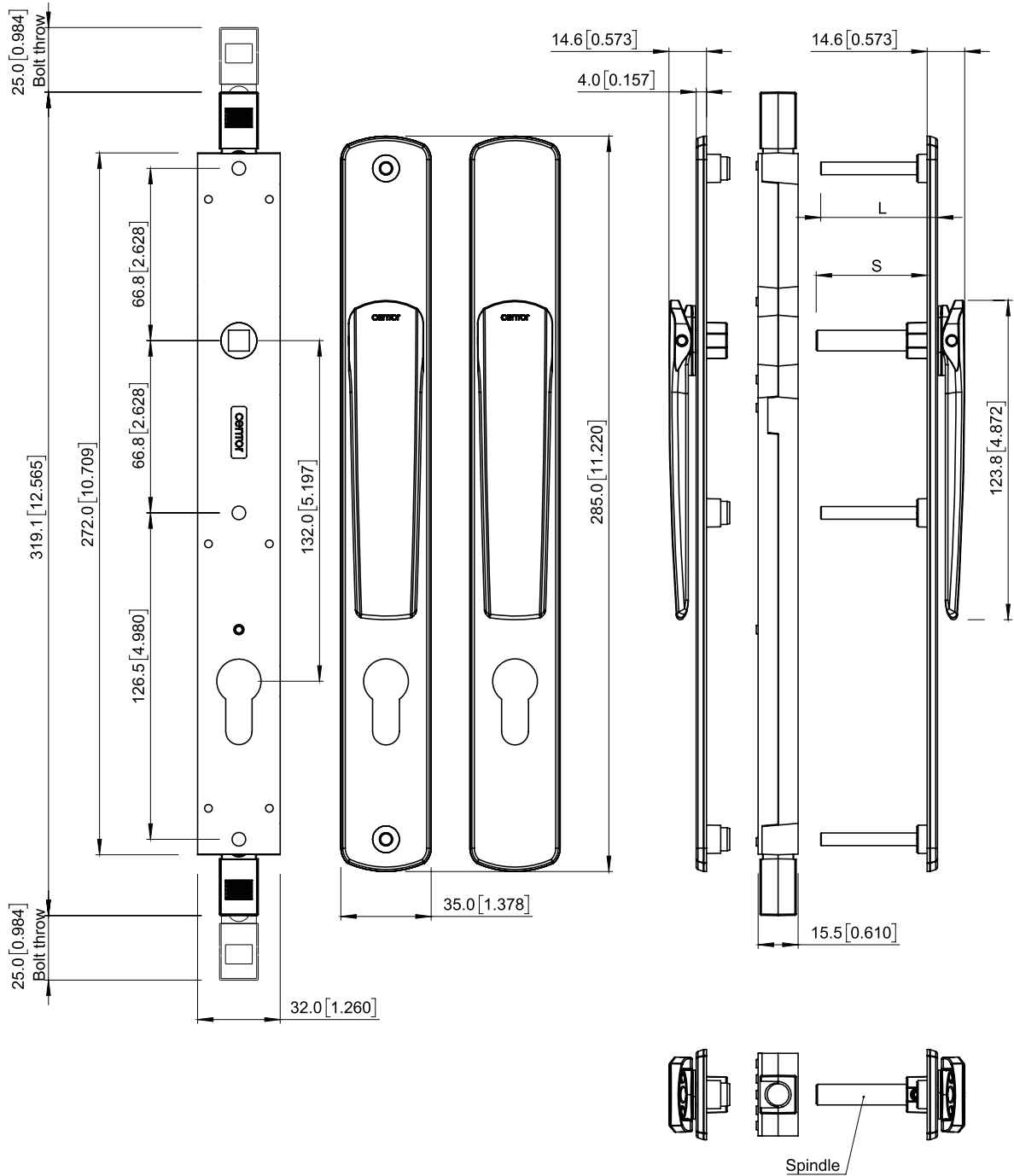
Notes:
Interchangeable spindles and mounting screws with different lengths are supplied in the handle kit.

TPL-CAD-200-A



ZINC DIECAST DOUBLE HANDLES

TwinPoint Gen2 H02 Keyed, Long



Notes:
Interchangeable spindles and mounting screws with different lengths are supplied in the handle kit.

TPL-CAD-202-A



ZINC DIECAST HANDLES

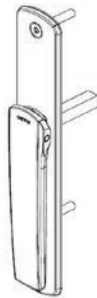
TwinPoint Gen2 Catalog

Single Handles

Single handle H02

Contents

- 1 x handle set, 30 & 35mm mounting screws*
- 25 & 37mm spindles*
- 2 x M4 spindle grub screw, 1 x 2mm Allen key*



Non-keyed Short

TPL-055-01-NI	nickel plated
TPL-055-01-LM	black matt powdercoat
TPL-055-01-WM	white matt powdercoat



Non-keyed Long

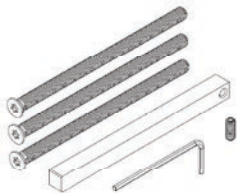
TPL-056-01-NI	nickel plated
TPL-056-01-LM	black matt powdercoat
TPL-056-01-WM	white matt powdercoat

Spindle Kit

Spindle kit 100mm

Contents

- 1 x 100mm spindle, 3 x 100mm mounting screws*
- 1 x M4 spindle grub screw, 1 x 2mm Allen key*



For non standard panels, cut spindle and screws to fit

TPL-058-100-S	Stainless steel
TPL-058-100-OL	PVD black



ZINC DIECAST HANDLES

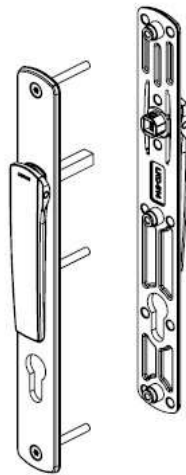
TwinPoint Gen2 Catalog

Double Handle

Double handle keyed, H02 Long

Contents

- 1 x handle set
- 2 x mounting screw sets (45 & 60mm)
- 2 x spindles (43 & 56mm)
- 2 x M4 spindle grub screw, 1 x 2mm Allen key



Keyed Long

TPL-054-02-NI	nickel plated
TPL-054-02-LM	black matt powdercoat
TPL-054-02-WM	white matt powdercoat
TPL-054-02-LWM	black matt exterior, white matt interior, powdercoat

ZINC DIECAST HANDLES

TwinPoint Gen2

Centor North America Inc
966-130 Corporate Blvd
Aurora, 60502, USA
t +1 630 957 1000
mail.us@centor.com
centor.com



centor®

BRO-TPG2-001-NAM (D)